

Satellite Suites[™]

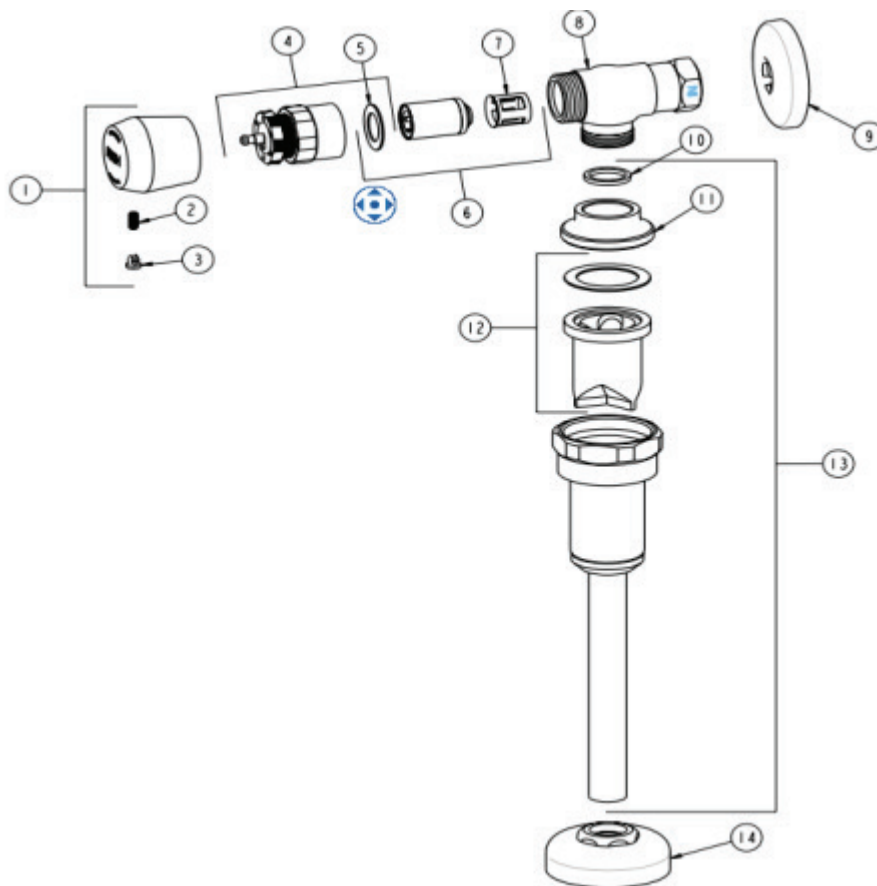
SECTION 4

TRAILER PARTS

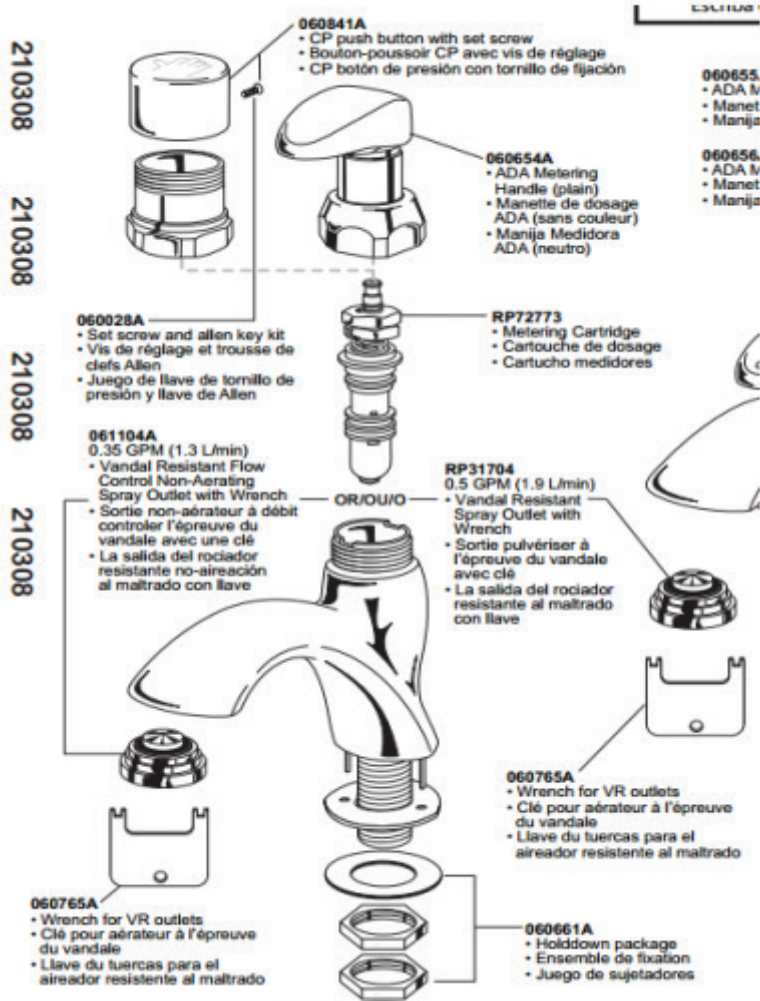
- Urinal Valve
- Faucet
- Aqua Mafic Style II
- Additonal Suites Parts



URINAL VALVE

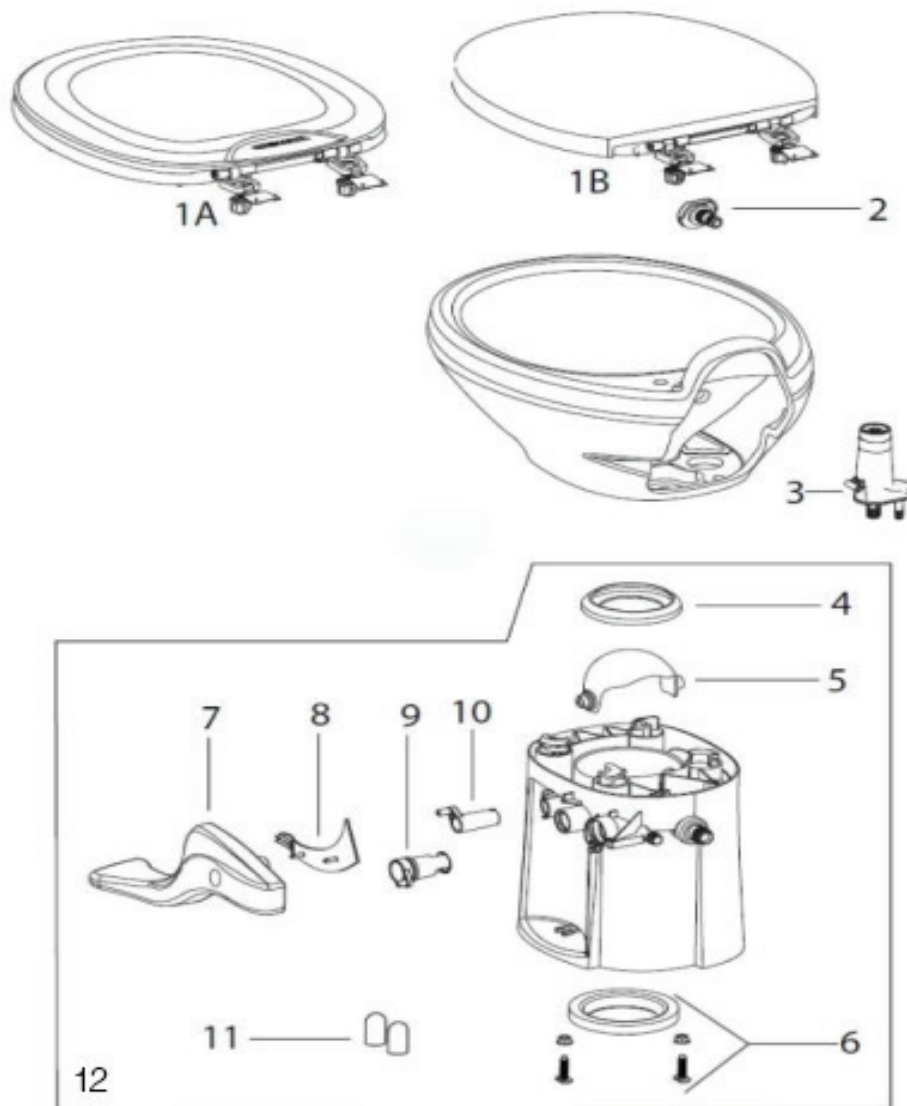


| ITEM # | PART# | QPU | DESCRIPTION | PRICE |
|--------|-------|-----|---------------------------------|-------|
| | 50046 | 1 | URINAL VALVE COMPLETE | |
| 1 | | 1 | HANDLE PUSH BUTTON ASSEMBLY | |
| 2 | | 1 | SET SCREW | |
| 3 | | 1 | BUTTONS HOT AND COLD | |
| 4 | 52181 | 1 | ACTUATOR ASSEMBLY | |
| 5 | | 1 | SEALING WASHER | |
| 6 | 51006 | 1 | METERING VALVE REPAIR CARTRIDGE | |
| 7 | | 1 | FILTER | |
| 8 | | 1 | VALVE BODY (NOT SALEABLE) | |
| 9 | | 1 | WALL FLANGE | |
| 10 | | 1 | GASKET | |
| 11 | | 1 | ADAPTOR | |
| 12 | | 1 | UNINAL V.8 REPAIR KIT | |
| 13 | 52145 | 1 | UNINAL VALVE VACUUM BREAKER | |
| 14 | | 1 | FLANGE ASSEMBLY PRE-PACK | |



| PART# | QPU | DESCRIPTION | PRICE |
|-------|-----|---------------------------|-------|
| 50045 | 1 | FAUCET METERED CHROM | |
| 51002 | 1 | METERING CARTRIDGE | |
| 51276 | 1 | FAUCET .5 GPM AERATOR KIT | |

AQUA MAGIC STYLE II



| ITEM # | PART# | QPU | DESCRIPTION | PRICE |
|--------|-------|-----|--------------------------------|-------|
| | 50406 | 1 | TOILET STILE II HG WHITE | |
| 1B | 50048 | | SEAT F/RESIDENTIAL TOILET | |
| 2 | | | NOZZLE | |
| 3 | 51853 | 1 | TOILET VACUUM BREAKER THETFORD | |
| 4 | 50715 | | TOILET WASTE BALL SEAL KIT | |
| 5 | 50839 | | TOILET WASTE BALL KIT | |
| 6 | 50712 | | TOILET CLOSET SEAL KIT | |
| 7 | 51630 | | TOILET PEDAL REPLACEMENT KIT | |
| 8 | | | PEDAL COVER INSERT WHITE | |
| 9 | 50714 | | TOILET WATER VALVE KIT | |
| 10 | 51421 | | TOILET WASTE BALL DRIVE ARM | |
| 11 | | | BOLT CAP WHITE | |
| 13 | 50219 | 1 | TOILET BASE REPL/H/WHITE | |

ADDITIONAL PARTS

| ITEM # | PART# | QPU | DESCRIPTION | PRICE |
|-------------|-------|-----|---|-------|
| Restroom | 50047 | ea | URINAL TOTO 1.8 GAL/FLUSH | |
| Restroom | 50046 | ea | URINAL VALVE COMPLETE | |
| Restroom | 51006 | ea | URINAL VALVE REPAIR CARTRIDGE | |
| Restroom | 52145 | ea | VACUUM PUMP FOR URINAL | |
| Restroom | 50707 | ea | KNOB- SUITE F/URINAL FAUCET | |
| Restroom | 50048 | ea | TOILET SEAT AND CVR WHT | |
| Restroom | 51630 | ea | TOILET PEDAL REPLACEMENT KIT | |
| Restroom | 50044 | ea | PUMP-WATER | |
| Restroom | 52268 | ea | FILTER-WATER PUMP | |
| Shower | 50944 | ea | PUMP 3/4 HP TANKLESS | |
| All | 50433 | ea | WATER STRAINER 100 MESH | |
| All | 51788 | ea | WATER STRAINER BASE ONLY | |
| Shower | 50794 | ea | WATER HEATER TANKLESS | |
| Restroom | 50009 | ea | WATER HEATER 2.5G 110V | |
| Restroom | 50417 | ea | WATER HEATER 6G AOSMITH | |
| All | 50708 | ea | CONVERTER/CHARGER 45 AMP | |
| All | 50309 | ea | A/C 13.5 BRISK II WHITE | |
| Ducted | 50126 | ea | THERMOSTAT F/DUCTED A/C | |
| Ducted | 50127 | ea | KIT SENSOR F/ DUCTED A/C | |
| Ducted | 50128 | ea | KIT MUTIZONE F/DUCTED A/C | |
| Ducted | 50310 | ea | HVAC COOL AIR DIVERTER F/DUCT | |
| Ducted | 50313 | ea | KIT HEAT F/ DUCTED AC 10/14/18 | |
| Non-ducted | 50438 | ea | KIT ADB MECH UN DUCTED | |
| Non-ducted | 50439 | ea | KIT HEAT KIT NON-DUCTED | |
| Restroom | 50365 | ea | VENT 14" 12V CEILING | |
| All | 50366 | ea | VENT 14" GARNISH WHT | |
| Shower | 50888 | ea | VENT- SUITE 14" NON-POWERED | |
| Shower | 50895 | ea | VENT- SUITE 12V HIGH FLOW WHT | |
| All | 50344 | ea | COVER MAXXAIR WHITE | |
| All | 50087 | ea | VENT ROOF STINK PIPE COVER | |
| All | 50007 | ft | TAPE- SIKA 2.75" WHT ROOF SEAL | |
| All | 52164 | ft | BUTYL TAPE-1/8X3/4X30' | |
| 6 wide unit | 50084 | ea | STEP-NON SLIP RV STYLE 24" - BOTTOM TWO STEPS | |
| ADA | 50756 | ea | TOILET KIT JETS50M VAC WHT | |
| ADA | 51850 | ea | SEAT AND COVER FOR JETS TOILET | |
| ADA | 51857 | ea | JETS-VTS CONTROLLER VODE S6 | |
| ADA | 50755 | ea | PUMP VACUUM SYSTEM 12VOLT | |
| ADA | 51993 | ea | VACUUM TRANSMITTER | |